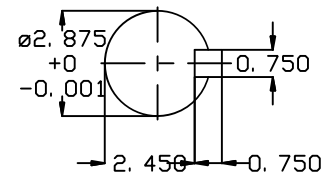
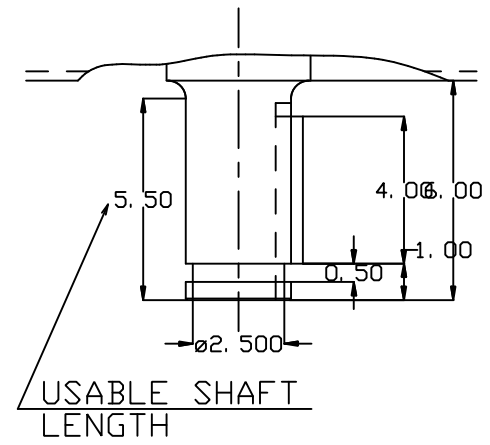


TYPE	OUTPUT		POLE	TIME RATING	VOLTAGE V	Hz	SYN. SPEED R. P. M
	HP.	kW.					
AMRCED	350	.	4	CONT	.	60	1800

ENCLOSED, VENTILATED VERTICAL SOLID SHAFT TYPE, SQUIRREL CAGE ROTOR  
NEMA WEATHER PROTECTED TYPE I

- NOTE:
1. DIMENSIONS IN INCH
  2. FRAME NO. 447VP
  3. F CLASS INSULATION, S.F. 1.15
  4. FOR DIRECT COUPLING.
  5. BEARING SIZE:  
UPPER BEARING: 7326B [UNINSULATED]  
LOWER BEARING: 6318C3 [UNINSULATED]
  6. LUBRICATION:  
UPPER BEARING USE OIL.  
OIL VISCOSITY: ISO VG68[300 SSU/100°F]  
OIL QUANTITY: 5.0GAL.  
LOWER BEARING USE MOBIL POLYREX EM GREASE.
  7. ROTATION: COUNTER-CLOCKWISE (VIEWED FROM TOP).
  8. WITH NON-REVERSE RATCHET MECHANISM.



SHAFT END  
(ENLARGED VIEW)

- (A) OIL FILLER [UPPER BEARING]
- (B) OIL GAUGE [UPPER BEARING]
- (C) OIL DRAIN [UPPER BEARING]
- (D) GREASE INLET NIPPLE [LOWER BEARING]
- (E) GREASE OUTLET [LOWER BEARING]
- (F) 2~M16 VERTICAL JACKING HOLES 180° APART IN MOTOR BASE.
- (G) M10 TAPPED HOLE IN MOTOR BASE WITH GROUNDING TERMINAL [R38-10] & BOLT LOCATED AS SHOWN.

DATE	OUTLINE DIMENSIONS	
	3-PHASE INDUCTION MOTOR	
DWN. Y. YANG JUN-02-2015	TEC Westinghouse	DWG NO. REV: 00
CHKD. R. LEE JUN-02-2015		VSP3504
APPD. C. LIU JUN-02-2015		